

# E-BLANKS QUICK START: 1

1. Clear and open the weapon

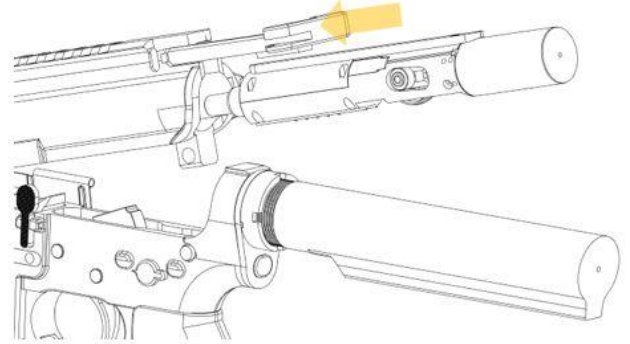


2. Remove charging handle and bolt

3. Remove stock.

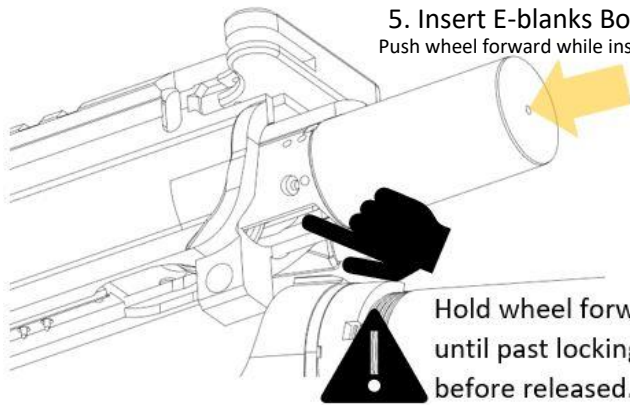


4. Insert E-blanks charging handle



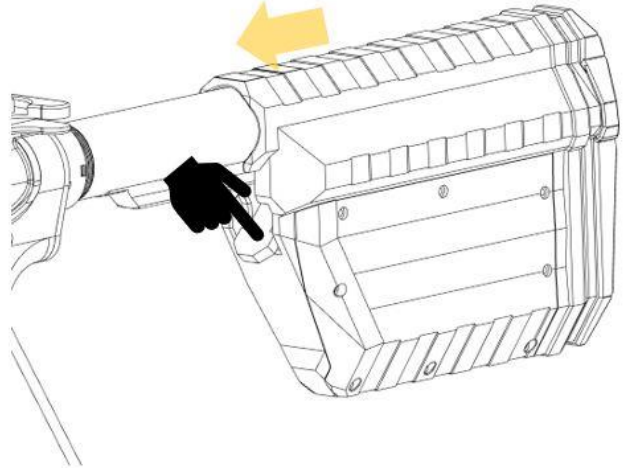
5. Insert E-blanks Bolt

Push wheel forward while inserting



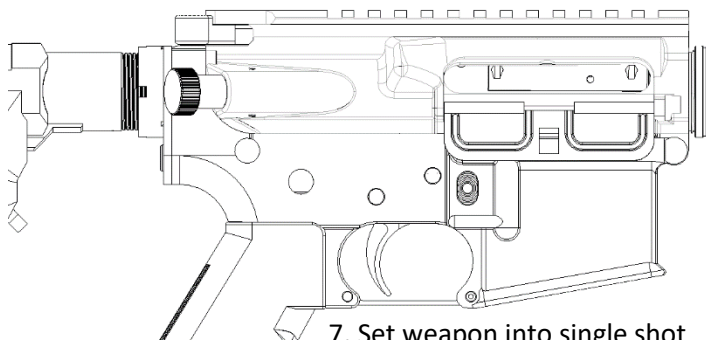
Hold wheel forward until past locking pin before released.

6. Attach recoil stock

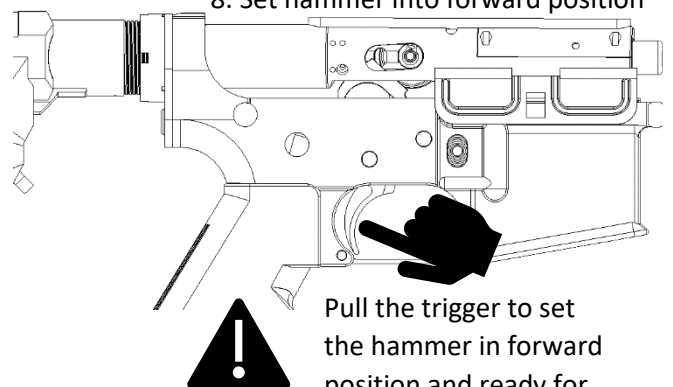


## QUICK CALIBRATION START

8. Set hammer into forward position



7. Set weapon into single shot



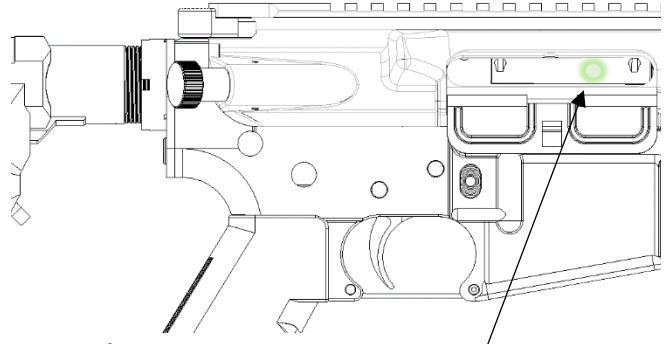
Pull the trigger to set the hammer in forward position and ready for calibration

# E-BLANKS QUICK START: 2

9. Set magazine calibration to NEW, then insert into weapon



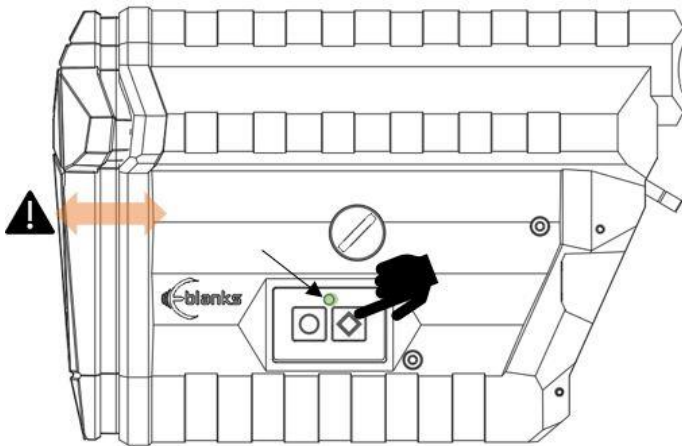
10. Let calibration finish. Wait for Green light



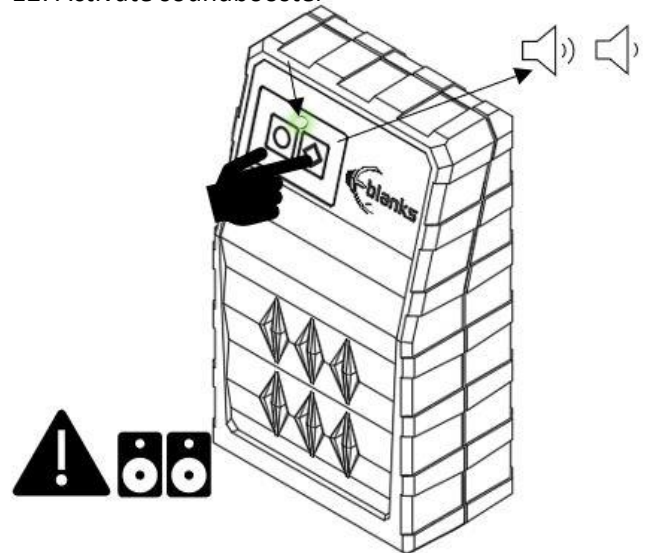
Don't touch anything on the weapon until green light

## QUICK CALIBRATION END

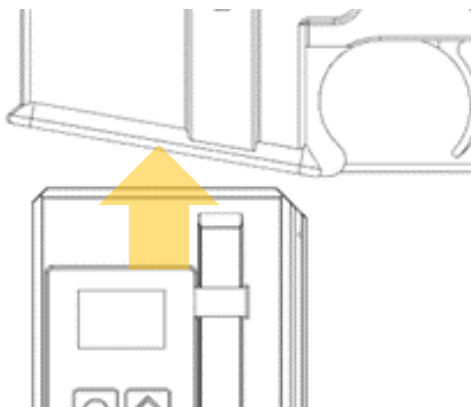
11. Activate recoil stock



12. Activate soundbooster



13. Insert E-mag



14. Ready!

