

# E-BLANKS QUICK START: 1

1. Clear and open the weapon

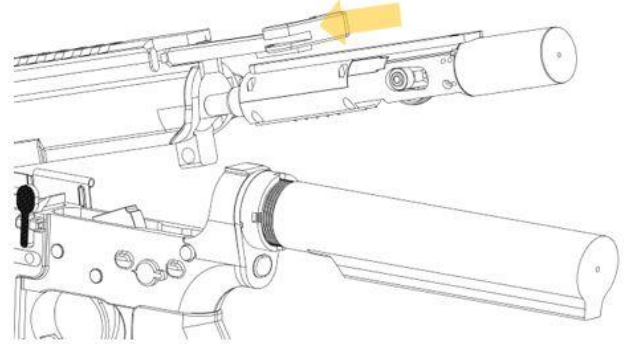


2. Remove charging handle and bolt

3. Remove stock.

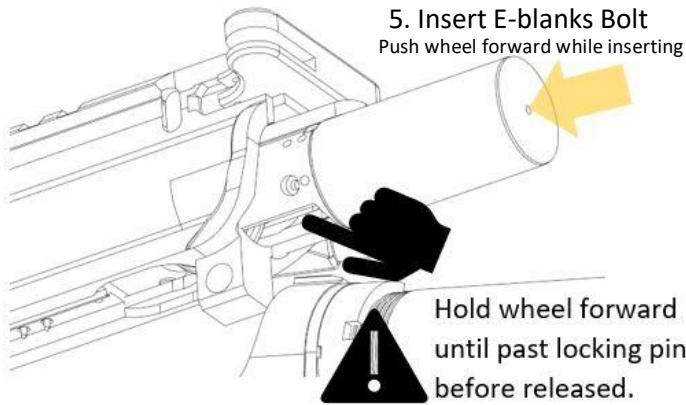


4. Insert E-blanks charging handle



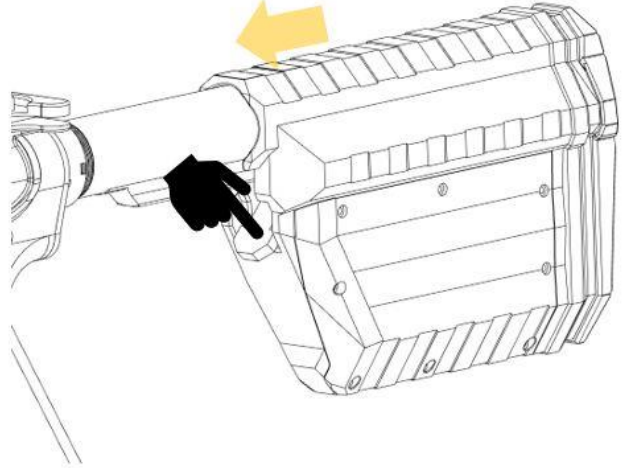
5. Insert E-blanks Bolt

Push wheel forward while inserting

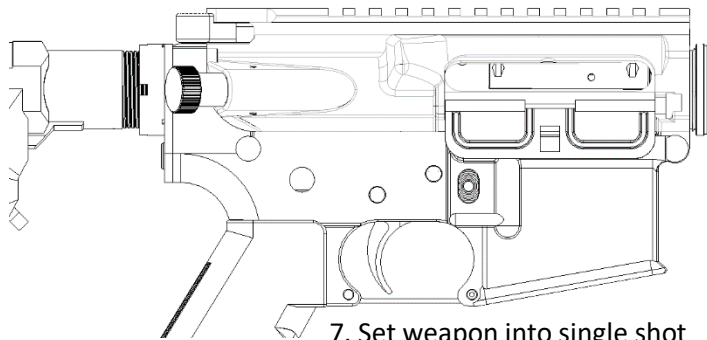


Hold wheel forward until past locking pin before released.

6. Attach recoil stock

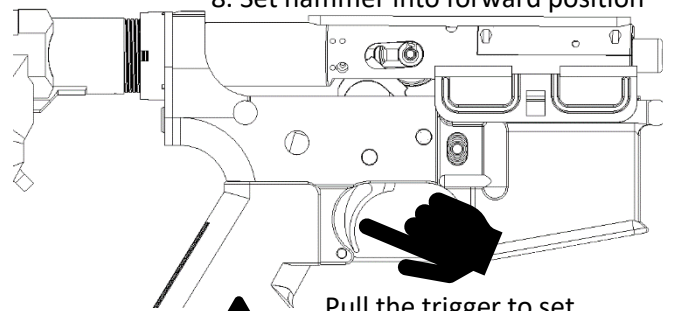


## QUICK CALIBRATION START



7. Set weapon into single shot

8. Set hammer into forward position



Pull the trigger to set the hammer in forward position and ready for calibration

SCAN FOR USER MANUAL

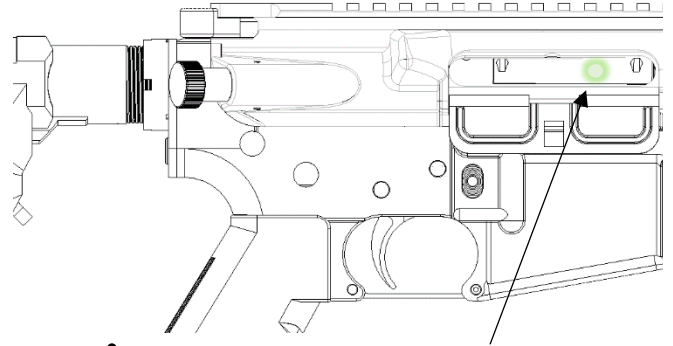


# E-BLANKS QUICK START: 2

9. Set magazine calibration to NEW, then insert into weapon



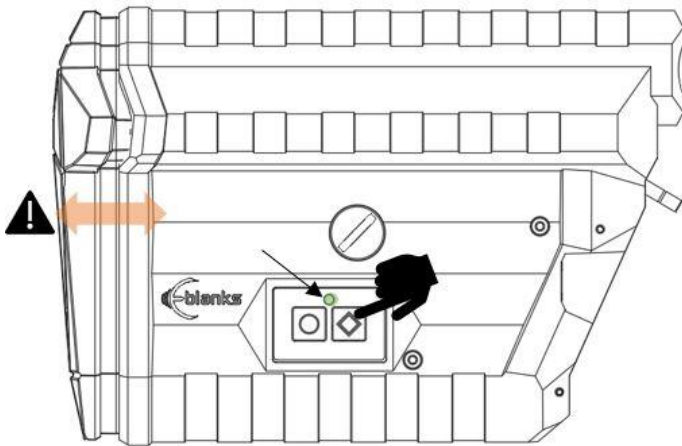
10. Let calibration finish. Wait for Green light



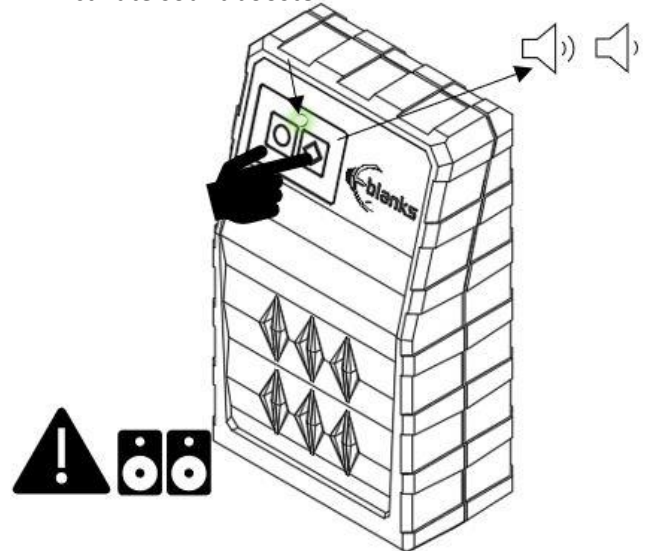
Don't touch anything on the weapon until green light

## QUICK CALIBRATION END

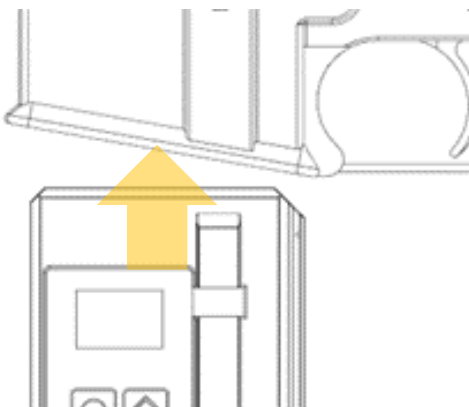
11. Activate recoil stock



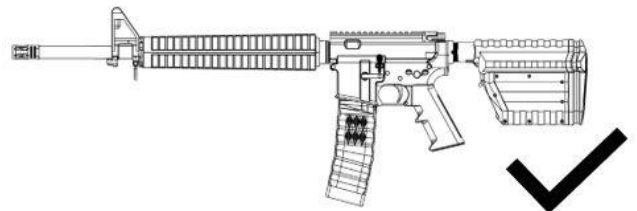
12. Activate soundbooster



13. Insert E-mag



14. Ready!



SCAN FOR USER MANUAL

